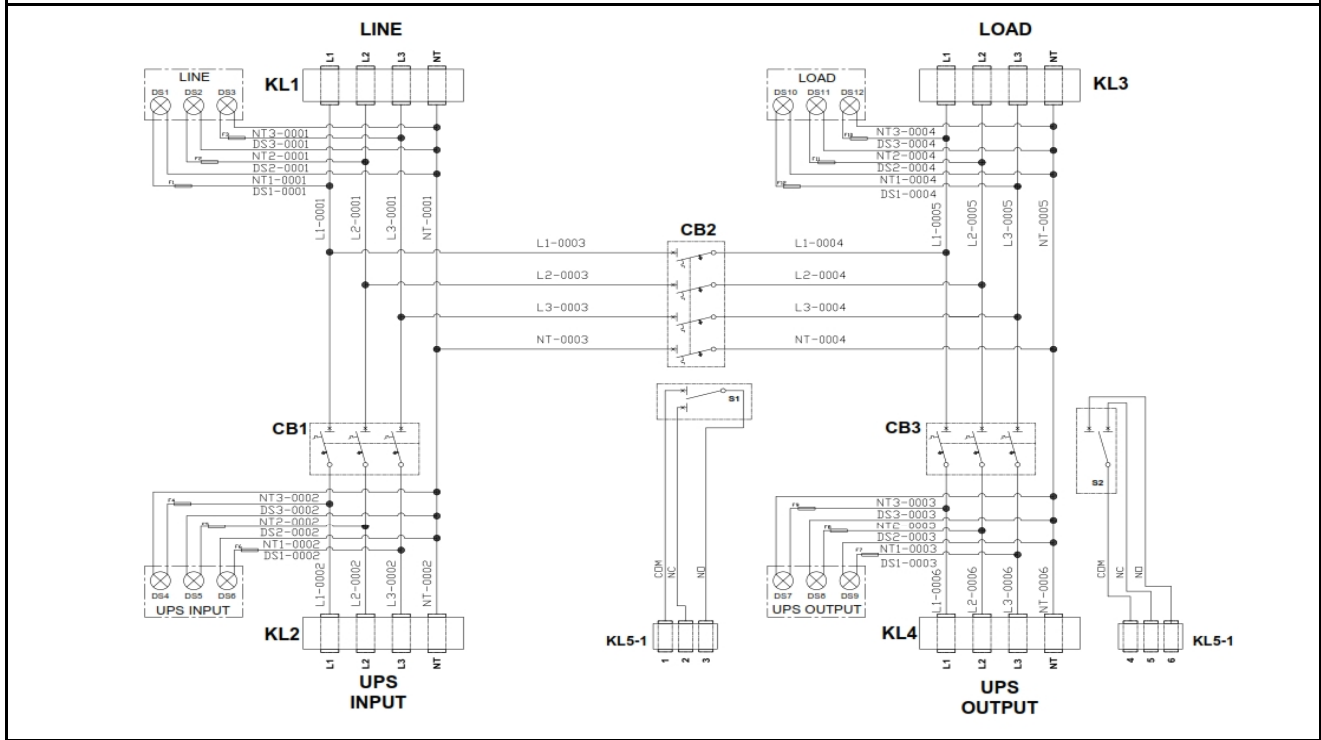


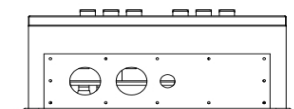
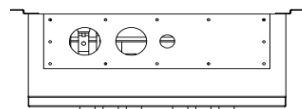
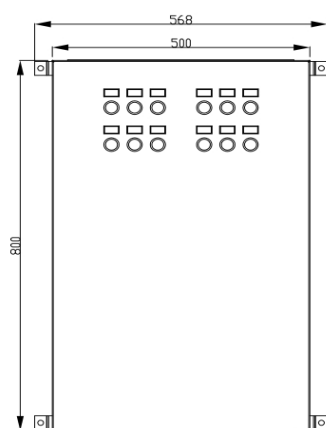
PRODUCT CARD			
PRODUCT MODEL	MSBP0200A01HV1-TM1		
PRODUCT WEIGHT (Kg)			
DESCRIPTION	200A 01 UPS NONE ANALYZER INPUT-OUTPUT=3 POLE BY PASS=4 POLE		
FEATURES			
KEY TYPE	THERMAL MAGNETIC CIRCUIT BREAKER	UPS QUANTITY	1
POWER ANALYZER	NO	POWER LAMP.	YES
BRAND	CHINT		

SINGLE LINE DRAWINGS



PANEL

PANEL CODE	MKSBP0013-FMP	PANEL WEIGHT(Kg)	
SIZE(mm)(WxHxD)	500 x 800 x 200	ASSEMBLY SIZE(mm)(WxHxD)	568 x 800 x 223



TOP VIEW

BOTTOM VIEW