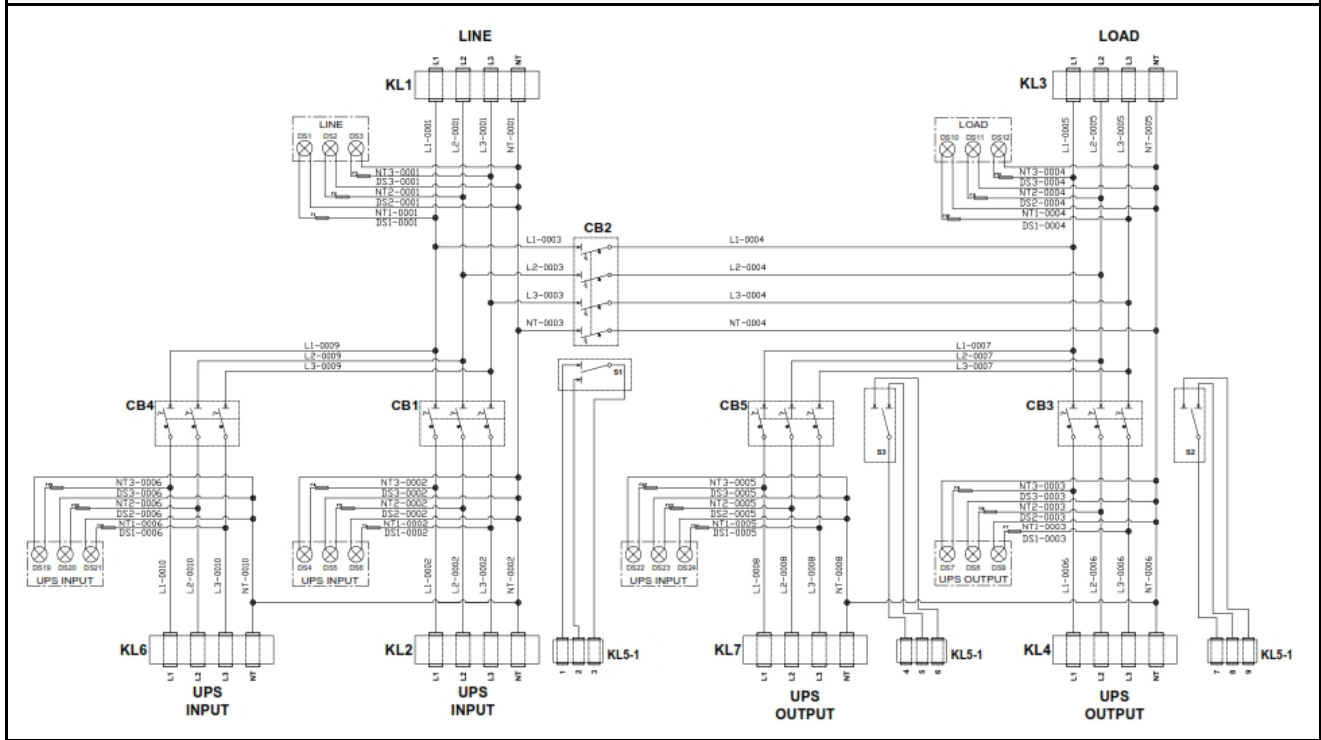


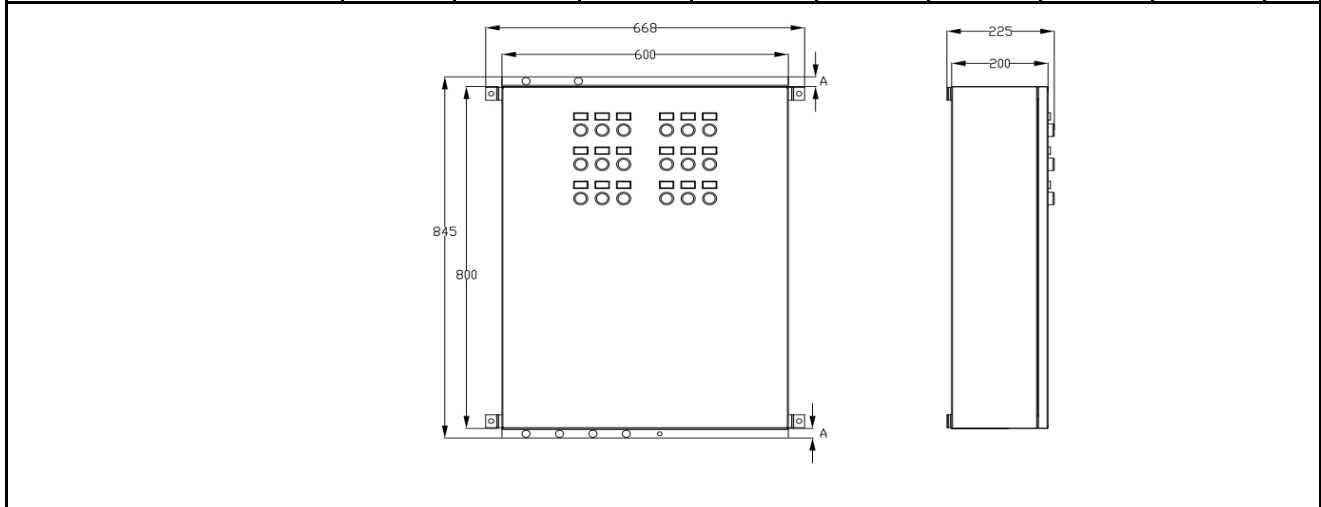
PRODUCT CARD			
PRODUCT MODEL	MSBP0080A02HV1-TM3		
PRODUCT WEIGHT (Kg)			
DESCRIPTION	80A 02 UPS NONE ANALYZER INPUT-OUTPUT=3 POLE BY PASS=4 POLE		
FEATURES			
KEY TYPE	THERMAL MAGNETIC CIRCUIT BREAKER	UPS QUANTITY	2
POWER ANALYZER	NO	POWER LAMP.	YES
BRAND	CHINT		

**SINGLE LINE DRAWINGS**



**PANEL**

PANEL CODE	MKSBP0021	PANEL WEIGHT(Kg)	
SIZE(mm)(WxHxD)	600 x 800 x 200	ASSEMBLY SIZE(mm)(WxHxD)	668 x 845 x 225
USED RECORDS	PG 21   1 PIECE	PG 42   4 PIECE	PG 48   2 PIECE



TYPES OF RECORD		
NAME	A	∅
PG 21	43 mm	28 mm
PG 42	61 mm	54 mm
PG 48	70 mm	60 mm

