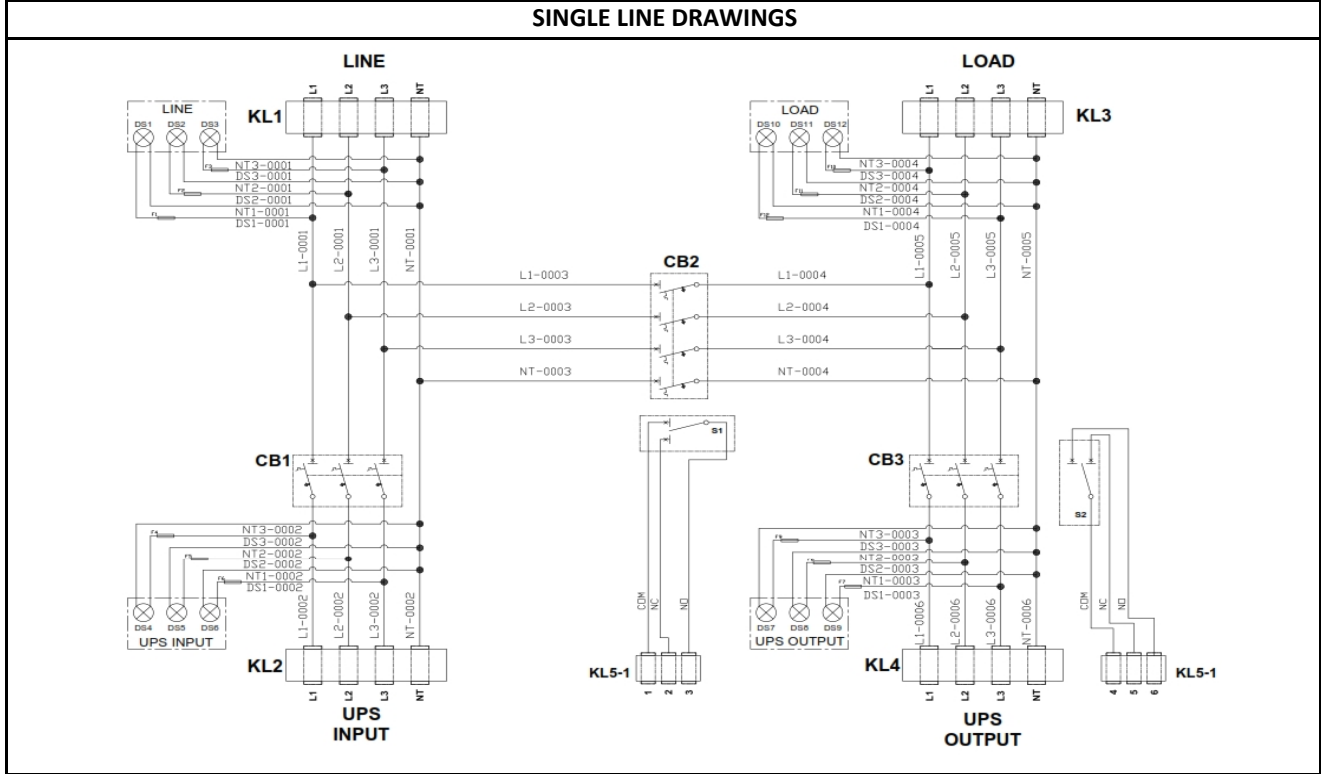


PRODUCT CARD			
PRODUCT MODEL	MSBP0040A01HV1-TM1		
PRODUCT WEIGHT (Kg)			
DESCRIPTION	40A 01 UPS NONE ANALYZER INPUT-OUTPUT=3 POLE BY PASS=4 POLE		
FEATURES			
KEY TYPE	THERMAL MAGNETIC CIRCUIT BREAKER	UPS QUANTITY	1
POWER ANALYZER	NO	POWER LAMP.	YES
BRAND	CHINT		



PANEL				
PANEL CODE	MKSBP0012	PANEL WEIGHT(Kg)		
SIZE(mm)(WxHxD)	500 x 600 x 200	ASSEMBLY SIZE(mm)(WxHxD)		568 x 628,5 x 223
USED RECORDS	PG 21	1 PIECE	PG 29	4 PIECE

