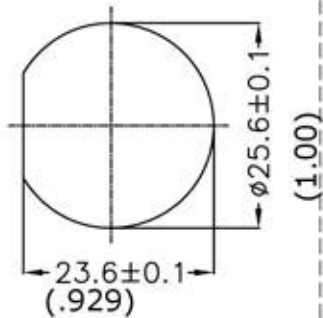
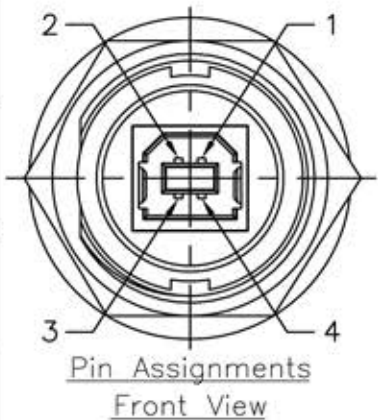


PCB Layout

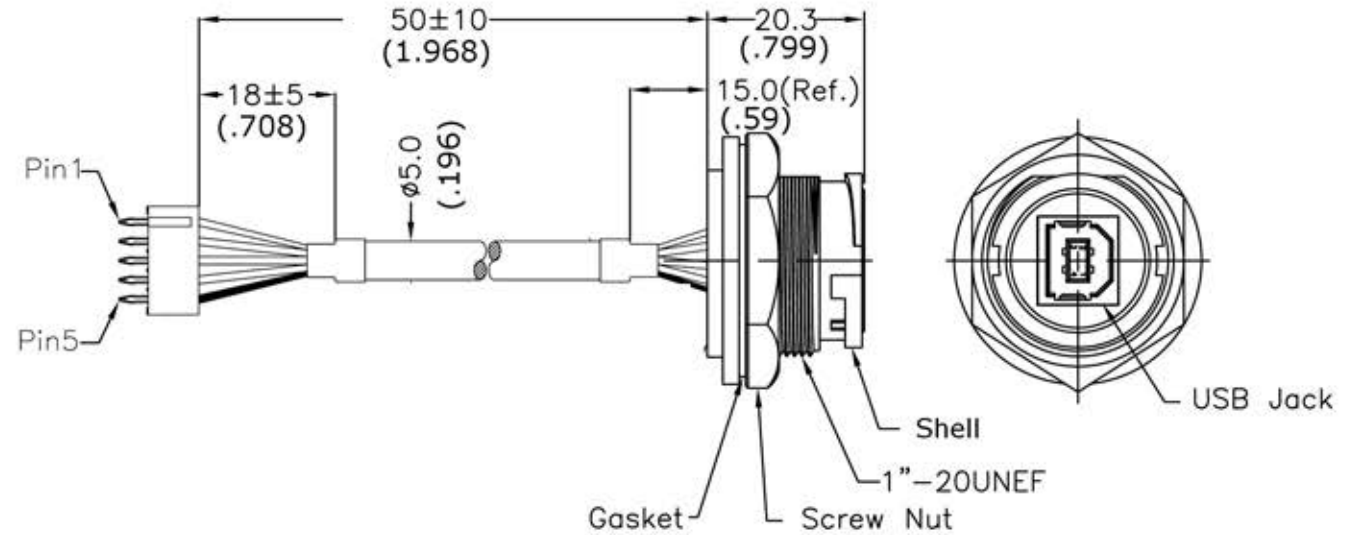


Recommended Panel Cut-Out



5	Drain	Shield
4	Black 24AWG	4
3	Green 28AWG	3
2	White 28AWG	2
1	Red 24AWG	1
Housing	Wire Color	Conn.
	Pin Out	

Twist



Note:

- \* Waterproof Rate: IP67
- \* Shell : Nylon+GF,Black
- \* USB Jack: USB B,Female Dip
- \* Panel Nut: Nylon+GF,Black
- \* Gasket: EPDM, Black
- \* Housing: Nylon,PH=2.50mm
- \* Terminal: Phosphor bronze, Tin-plated
- \* Cable: 1P\*28#+2C\*24#+AL+MY+D+B,OD=5.0mm
- \* Use with waterproof cap or dust cap  
For Panel Thickness Max: 2.8mm
- \* Use without waterproof cap or dust cap  
For Panel Thickness Max: 4.0mm

UNIT:mm (INCH)

TOLERANCE	
.X	±0.25
.XX	±0.1
.XXX	±0.05
ANGLES	±1°



**U.T.E. Electronic GmbH & Co. KG**  
 Tel.: +49 (0) 2302 28 28 3-0  
 Fax: +49 (0) 2302 28 28 3-10  
 www.ute.de info@ute.de