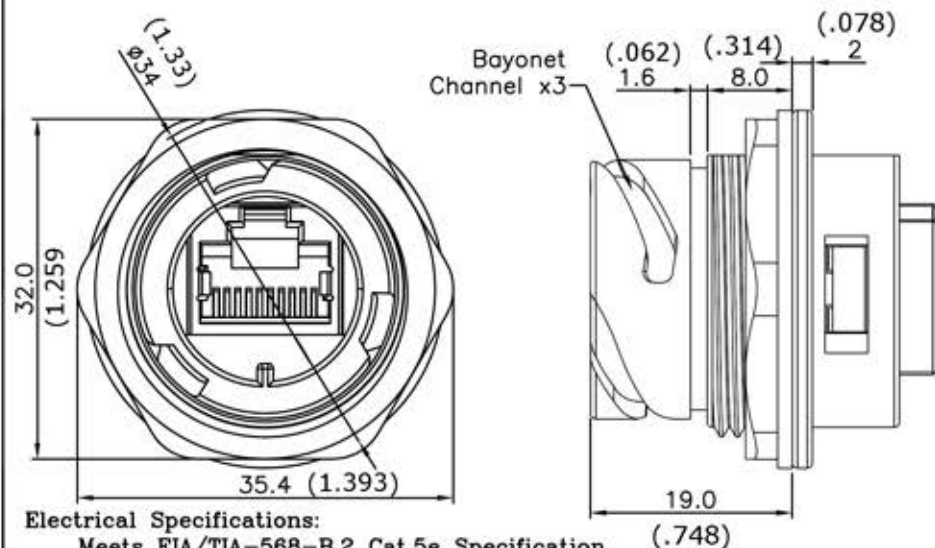
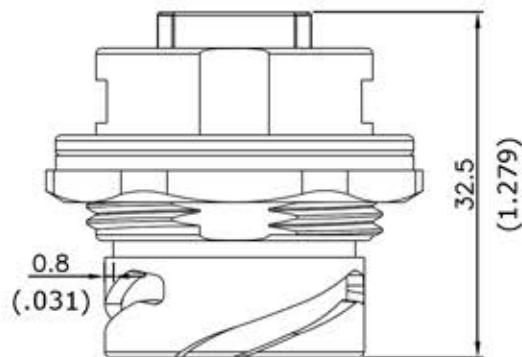


RJ45-5EWTP-QR-JCK-SHLDM



Electrical Specifications:

- Meets EIA/TIA-568-B.2 Cat.5e Specification
- Contact Resistance: 20 mOhm max
- Insulation Resistance: 500 MOhm min @100V DC
- Current Rating: 1.5A max
- Voltage Rating: 100VDC

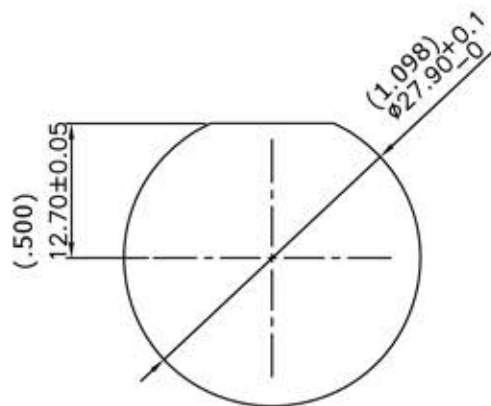
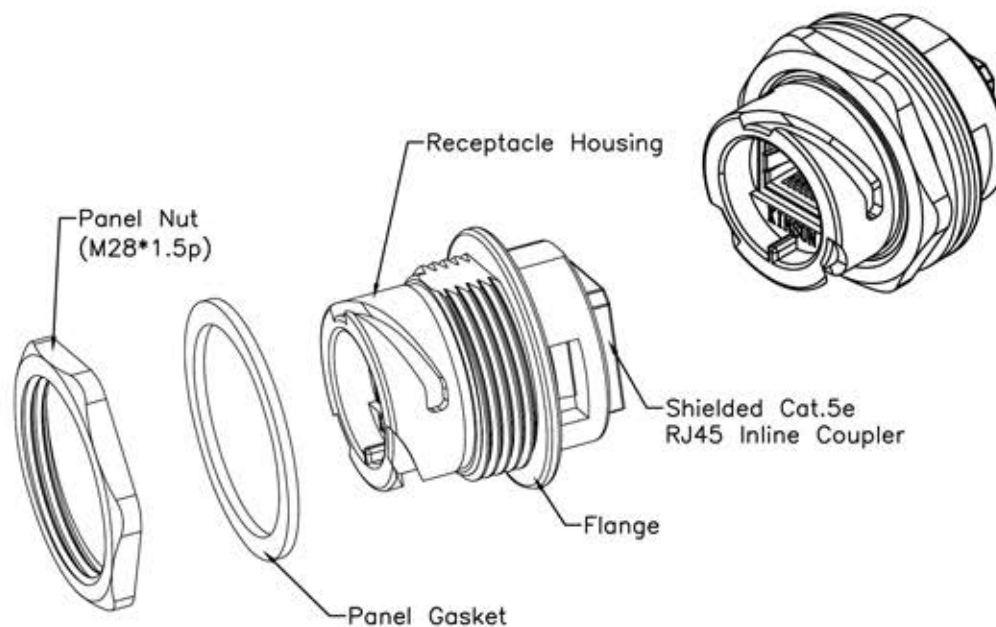
DWV: 1000V DC/60s min Contact to Contact, 1500V DC/60s Contact to Metal Shell
 Operating Temperature: -40°C TO +85°C

Material and Finish

- Receptacle Housing: Zn Alloy 3, Nickel Plated
- Panel Nut: Copper Alloy, Nickel Plated
- Panel Gasket: Silicone
- RJ45 Jack Metal Shell: Copper Alloy, Nickel Plated
- RJ45 Jack Plastic Housing: Engineering Thermoplastic Flammability Rating UL94 V-0
 Color: Black

RJ45 Jack Contact: Phosphor Bronze, finish: Gold over Nickel

Connector can be front mounted to a maximum panel thickness of 3.2mm.



Panel Cut-Out

UNIT: mm (Inch)



U.T.E. Electronic GmbH & Co. KG

Tel.: +49 (0) 2302 28 28 3-0
 Fax: +49 (0) 2302 28 28 3-10
 www.ute.de info@ute.de

RoHS COMPLIANT