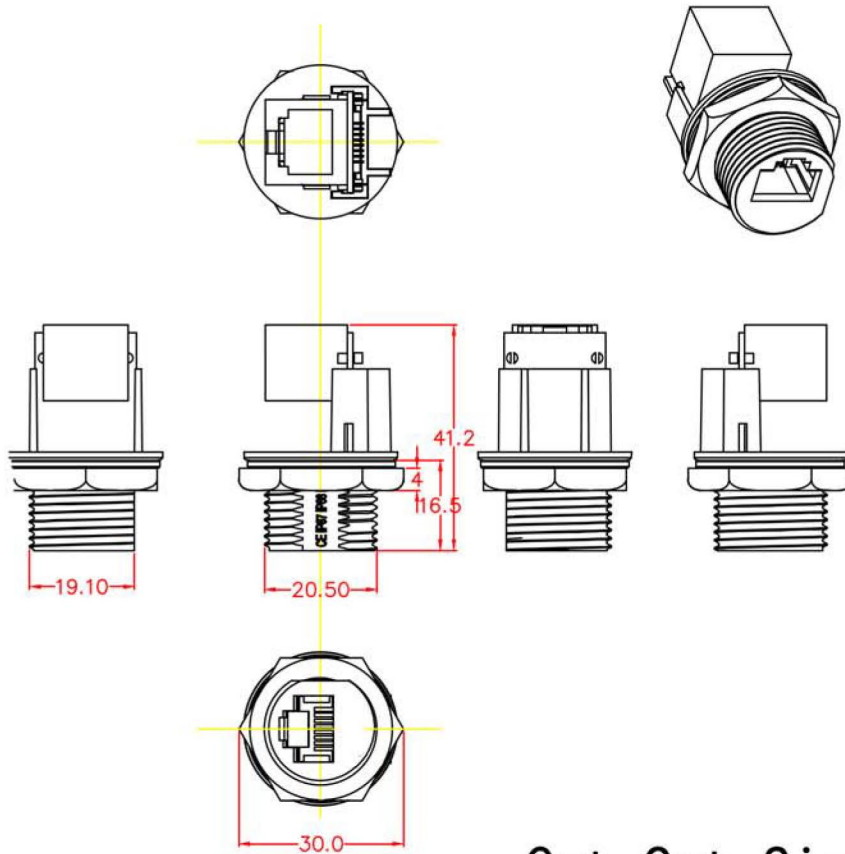
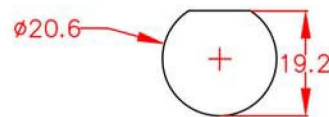


RJ45-5EWTP-CS-JCK-UA



Connector Body: Nylon+GF
 Contact: Brass with Gold plated
 Gasket: Silicon gel
 Specification:
 Contact numbers: 8
 Connector Type: Female Panel Front Mount
 Contact Resistance: <10mohm
 Insulation Resistance: 20Mohm at 500V
 Breakdown Voltage: 300V/1minute
 Temperature Rating: -40°C +105°C
 Waterproof rating: IP67
 Durability(Plug/Unplug): 3000times

Cut-Out Size



UNITS: Millimeters

ute
electronic gmbh & co. kg

U.T.E. Electronic GmbH & Co. KG

Tel.: +49 (0) 2302 28 28 3-0

Fax: +49 (0) 2302 28 28 3-10

www.ute.de info@ute.de