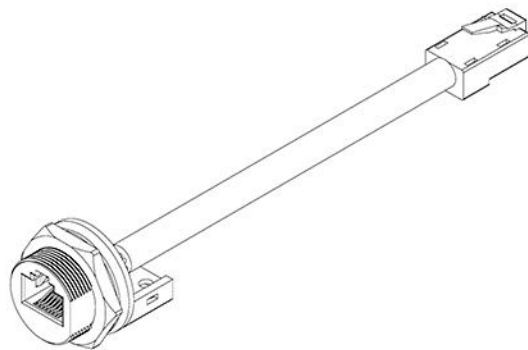


Panel Cut-Out

Panel Thickness: 0.06-0.08in

**Cable Length: 8 inches****MATERIALS:**

PLASTIC HOUSING: ENGINEERING THERMOPLASTIC
FLAMMABILITY RATING UL 94V-0.

CONTACTS: PHOSPHOR BRONZE

PLATING: GOLD PLATING OVER NICKEL IN CONTACT.

Nut: ENGINEERING THERMOPLASTIC FLAMMABILITY RATING UL 94V-0.

Gasket: EPDM

ute
electronic gmbh & co. kg

U.T.E. Electronic GmbH & Co. KG

Tel.: +49 (0) 2302 28 28 3-0

Fax: +49 (0) 2302 28 28 3-10

www.ute.de

info@ute.de