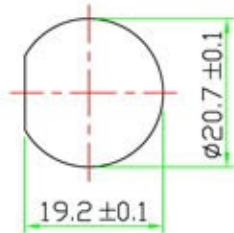
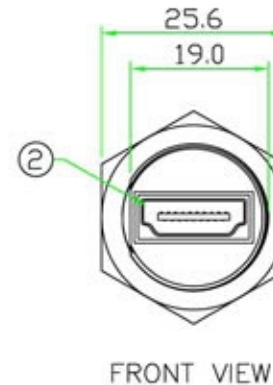
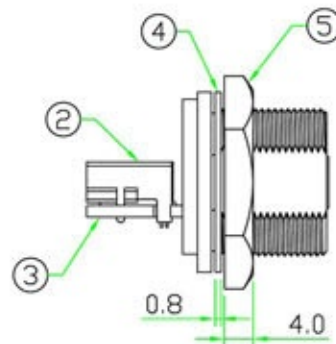
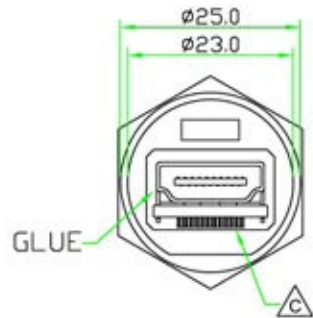
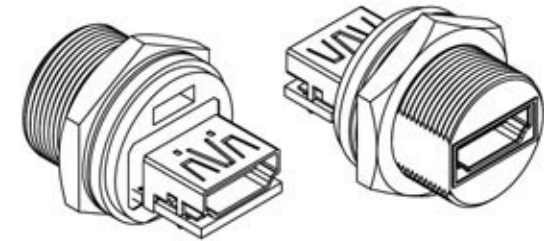
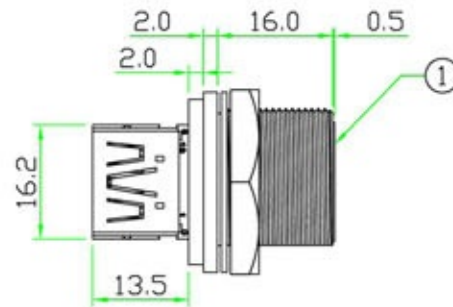


# HD-WTP-FF-CS



RECOMMEND  
PANEL CUT OUT

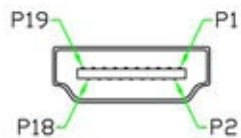
**RoHS**  
**IP66-68**  
**HDMI**  
HIGH-DEFINITION MULTIMEDIA INTERFACE



FRONT VIEW

**NOTES:**

- ELECTRICAL CHARACTERISTICS:**  
CURRENT RATING: 0.5A  
CONNECTOR TEMPERATURE RANGE: -25°C TO +85°C  
DIELECTRIC WITHSTANDING VOLTAGE:  
500V AC FOR ONE MINUTE
- PANEL THICKNESS MAX. 6.0mm



PIN ASSIGNMENT  
FRONT VIEW

	UNIT: mm
SCALE	1:1
UNLESS OTHERWISE SPECIFIED TOLERANCES:	
x	± 0.5 xx ± 0.25
xxx	± 0.1 ANGLE ± 1°

No.	PART NAME	DESCRIPTION	COLOR	Q'TY
5	HEX NUT	Nylon+GF.	BLACK	1
4	GASKET	EPDM.	BLACK	1
3	PCB	FR4 . Double Side, 1.6mm Thickness.		1
2	CONNECTOR	HDMI A Type Female S/T PCB Connector.		2
1	BODY	HDMI A Type Female Connector Body. Nylon+GF.	BLACK	1

**ute**  
electronic gmbh & co. kg

**U.T.E. Electronic GmbH & Co. KG**  
Tel.: +49 (0) 2302 28 28 3-0  
Fax: +49 (0) 2302 28 28 3-10  
www.ute.de info@ute.de