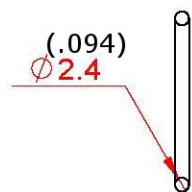
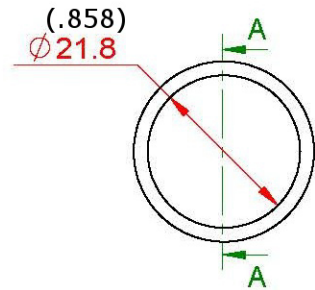
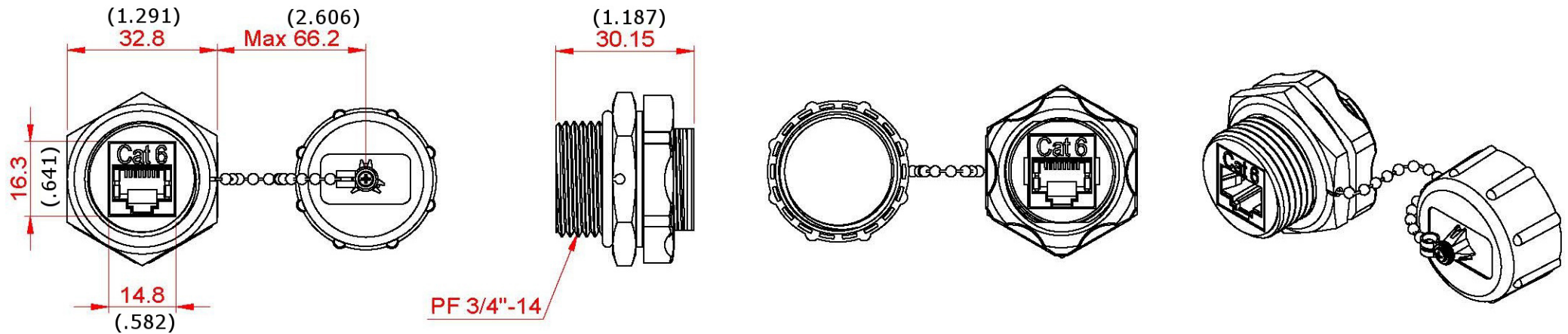
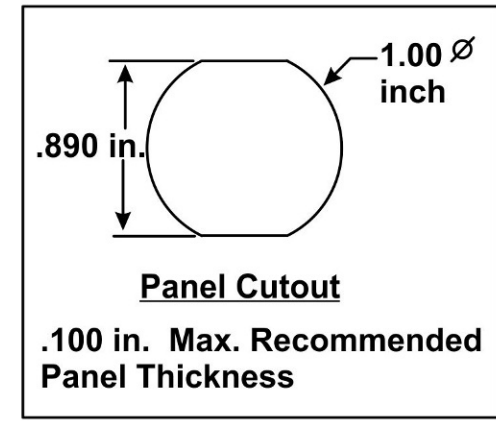


# RJ45-6WTP-CS-JCK



SECTION A-A  
SCALE 4 : 5

O-RING



## MATERIAL

MAIN BODY : PBT+GF,UL94V-0.  
SHIELDED CASE : BRASS,NICKEL PLATED.  
COUPLER HOUSING : ABS,UL94V-0.  
JACK CONTACTS : PHOSPHOR BRONZE,50U" GOLD PLATED.  
O-RING : NBR RUBBER (-2°C TO 70°C)

## PHYSICAL CHARACTERISTICS

INSERTION LIFE : 750 MATING CYCLES WITH FCC COMPLIANT 8P PLUG.  
CONTACT FORCE : 100 GRAMS WITH FCC COMPLIANT 8P PLUG.  
PLUG RETENTION FORCE : 11 LBF MIN.  
OPERATING TEMPERATURE RANGE : -10°C TO 60°C.  
STORAGE TEMPERATURE RANGE : -40°C TO 68°C.  
HUMIDITY : 10%~90%RH.

## ELECTRICAL

INSULATION RESISTANCE : 500 MΩ.  
DIELECTRIC WITHSTANDING VOLTAGE : 1000 V AC.  
DC CURRENT RATING : 1.5 Amps.  
DC RESISTANCE : 0.1Ω.  
CONTACT RESISTANCE : 20mΩ.

UNITS: Millimeter (Inch)



**U.T.E. Electronic GmbH & Co. KG**

Tel.: +49 (0) 2302 28 28 3-0  
Fax: +49 (0) 2302 28 28 3-10  
www.ute.de info@ute.de