

ROHS Compliant

RJ45-6WTP-CB

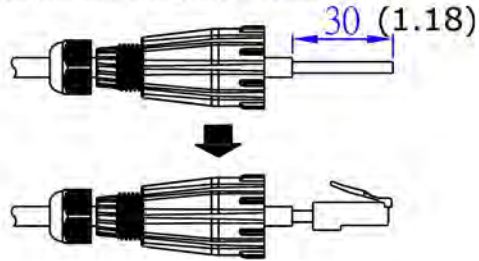
PHYSICAL CHARACTERISTICS :

- OPERATING TEMPERATURE RANGE : -10°C~+60°C
- STORAGE TEMPERATURE RANGE : -40°C~+68°C

Illustration :

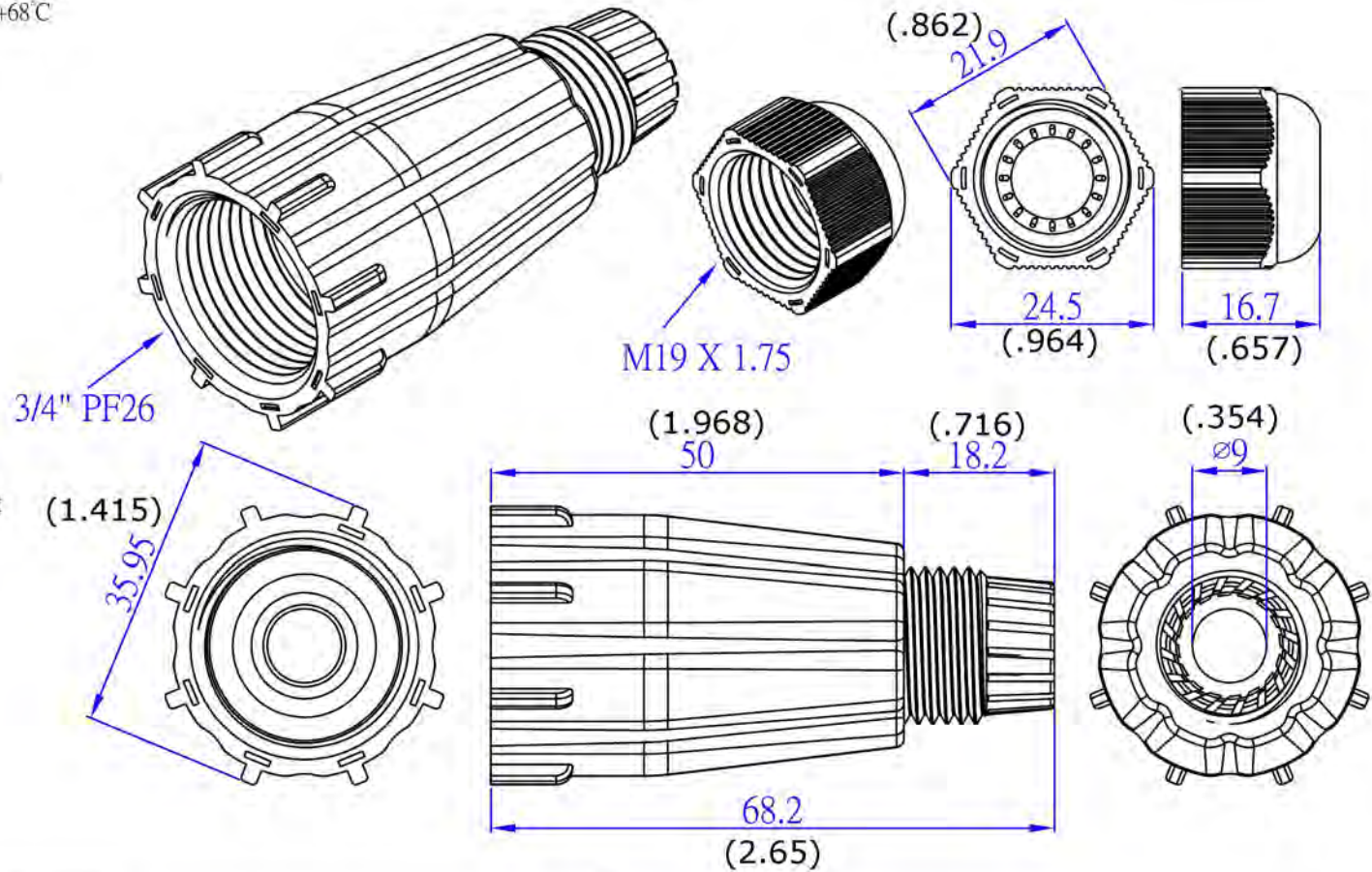
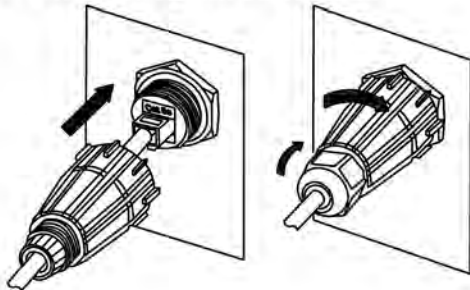
Step 1 :

Strip the cable jacket around 30mm, spread each pair and crimp the modular plug.



Step 2 :

Plug in the modular plug with socket, turn tight the boot, then tighten the restraint.



MATERIAL

MAIN BODY	Nylon PA-66 UL94V-0, 25% Glass Fiber Filled
SEALING NUT	Nylon PA-66 UL94V-0, 25% Glass Fiber Filled
BACK GASKET	Rubber

UNIT: mm (Inch)



U.T.E. Electronic GmbH & Co. KG

Tel.: +49 (0) 2302 28 28 3-0
 Fax: +49 (0) 2302 28 28 3-10
 www.ute.de info@ute.de