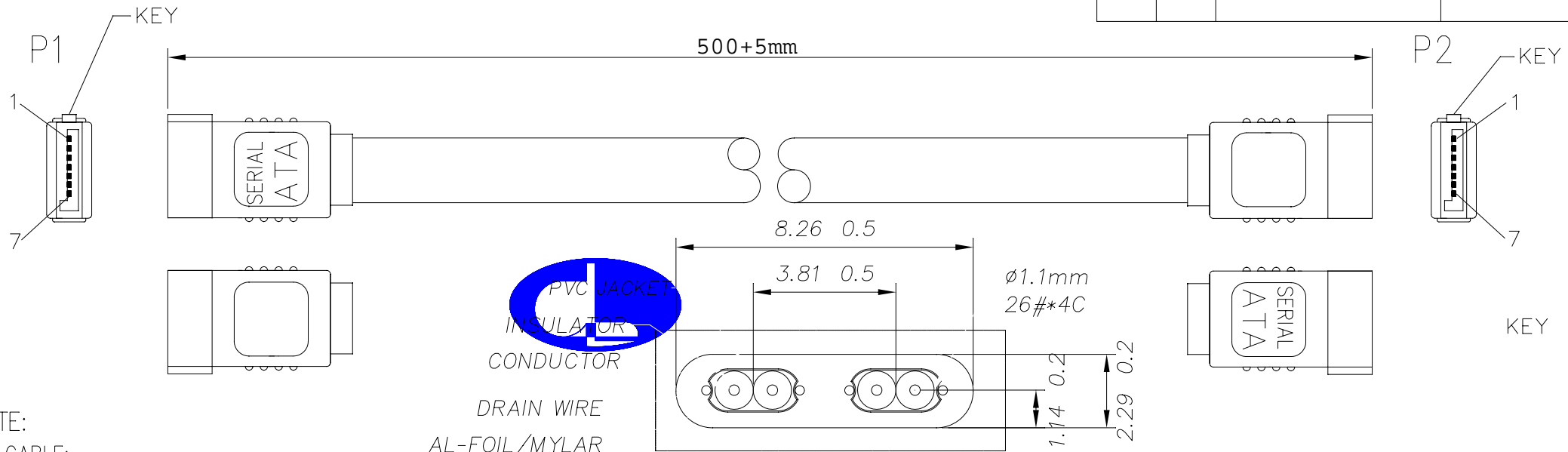
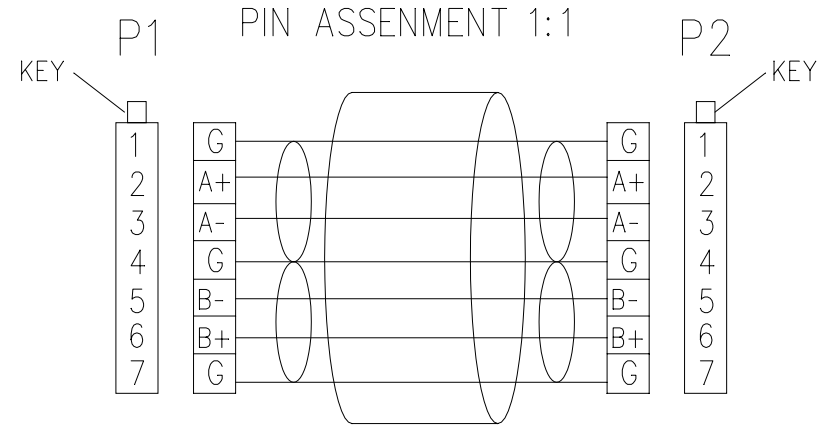


LTR	REV.	DESCRIPTION	DATE



NOTE:

- CABLE:
 UL2725 80°C 30V {[26AWG(1/0.404)*2C
 +AL/MY+DRAIN WIRE(1/0.32)*2]*2F}TIN
 INS:FO-SKIN OD:φ1.1±0.05mm
 PVC JACKET OD:φ(2.29±0.2)*(8.26±0.5)mm COLOR:RED
 PRINT: UL2725 E87647-DG 9AWM 80°C 30V VW-1 serial ATA 26AWG (BLACK WORD)
 IMPEDANCE 100±5 OHMS (SUPPLIER:PAN INT'L)
- CONNECTOR:
 2-1 MATERIAL:
 HOUSING: HIGH TEMPERATURE POLYESTER & GLASS FIBER UL 94V-0
 TERMINAL: COPPER ALLOY
 2-1 PLATING:
 CONTACT AREA: 15u" GOLD PLEATED
- HOOD: MOLDED TYPE, PVC 45P, COLOR:BLACK(NK-K01)
- CABLE ASS'Y ELECTRICAL TEST:
 4-1 100% OPEN SHORT & MIS WIRE TEST
 4-2 CONTACT RESISTANCE 2 OHM MAX
 4-3 INSULATION RESISTANCE 20M OHM MIN
- PACKING: EACH SET / POLYBAG



Tolerance	Inch	M/M	Title					
.X	.015	.30	SERIAL ATA SIGNAL CABLE					
.XX	.010	.10						
.XXX	.005	.05						
Draw KIKI 11/21			Customer P/N					
Check			App'd		Customer			
Engr			Scale	NONE	Units	m/n	Third Angle Projection	
			Dwg No. 150-0300		REV: A	Sheet 2/2		